



STGP5NC60KD - STGF5NC60KD STGB5NC60KD

N-CHANNEL 5A - 600V - TO-220/TO-220FP/D²PAK
SHORT CIRCUIT RATED PowerMESH™ IGBT

TARGET SPECIFICATION

Table 1: General Features

TYPE	V _{CES}	V _{CE(sat)} (Max) @25°C	I _C @100°C
STGB5NC60KD	600 V	< 2.5 V	10 A
STGF5NC60KD	600 V	< 2.5 V	10 A
STGP5NC60KD	600 V	< 2.5 V	10 A

- OFF LOSSES INCLUDE TAIL CURRENT
- LOW ON-VOLTAGE DROP (V_{cesat})
- SHORT CIRCUIT RATED
- SWITCHING LOSSES INCLUDE DIODE RECOVERY ENERGY
- LOWER C_{RES} / C_{IES} RATIO

DESCRIPTION

Using the latest high voltage technology based on a patented strip layout, STMicroelectronics has designed an advanced family of IGBTs, the PowerMESH™ IGBTs, with outstanding performances. The suffix "K" identifies a family optimized for high frequency motor control applications with short circuit withstand capability.

APPLICATIONS

- HIGH FREQUENCY MOTOR CONTROLS
- SMPS and PFC IN BOTH HARD SWITCH AND RESONANT TOPOLOGIES
- MOTOR DRIVERS

Figure 1: Package

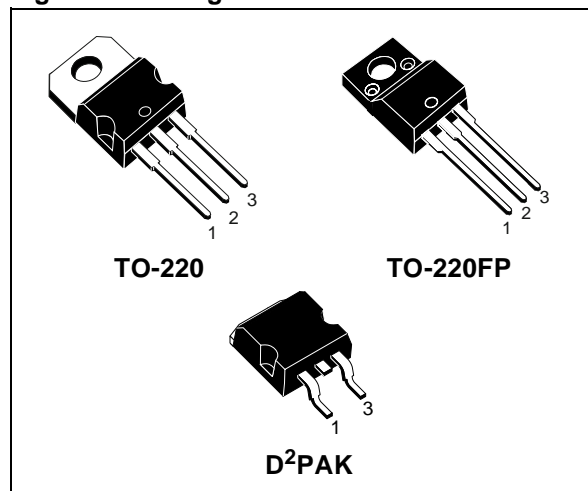


Figure 2: Internal Schematic Diagram

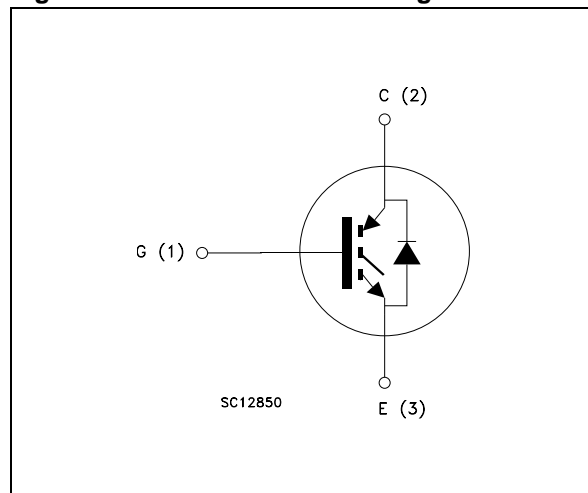


Table 2: Order Codes

SALES TYPE	MARKING	PACKAGE	PACKAGING
STGB5NC60KDT4	GB5NC60KD	D ² PAK	TAPE & REEL
STGF5NC60KD	GF5NC60KD	TO-220FP	TUBE
STGP5NC60KD	GP5NC60KD	TO-220	TUBE

Rev. 1

Table 3: Absolute Maximum ratings

Symbol	Parameter	Value		Unit
		STGB5NC60KD STGP5NC60KD	STGF5NC60KD	
V _{CES}	Collector-Emitter Voltage (V _{GS} = 0)	600		V
V _{ECR}	Emitter-Collector Voltage	20		V
V _{GE}	Gate-Emitter Voltage	±20		V
I _C	Collector Current (continuous) at T _C = 25°C (#)	20		A
I _C	Collector Current (continuous) at T _C = 100°C (#)	10		A
I _{CM} (■)	Collector Current (pulsed)	40		A
P _{TOT}	Total Dissipation at T _C = 25°C	60	25	W
	Derating Factor	0.48	0.20	W/°C
V _{ISO}	Insulation Withstand Voltage A.C.(t = 1 sec; T _c = 25°C)	--	2500	V
T _{stg}	Storage Temperature	- 55 to 150		°C
T _j	Operating Junction Temperature			

(■)Pulse width limited by max. junction temperature.

Table 4: Thermal Data

			Min.	Typ.	Max.	
R _{thj-case}	Thermal Resistance Junction-case	TO-220 D2PAK			2.08	°C/W
		TO-220FP			5.0	°C/W
R _{thj-amb}	Thermal Resistance Junction-ambient				62.5	°C/W
T _L	Maximum Lead Temperature for Soldering Purpose (1.6 mm from case, for 10 sec.)			300		°C

ELECTRICAL CHARACTERISTICS (T_{CASE} =25°C UNLESS OTHERWISE SPECIFIED)

Table 5: Main Parameters

Symbol	Parameter	Test Conditions	Min.	Typ.	Max.	Unit
V _{BR(CES)}	Collector-Emitter Breakdown Voltage	I _C = 250 μA, V _{GE} = 0	600			V
I _{CES}	Collector cut-off Current (V _{GE} = 0)	V _{CE} = Max Rating, T _C = 25°C V _{CE} =Max Rating, T _C = 125°C			250 2	μA mA
I _{GES}	Gate-Emitter Leakage Current (V _{CE} = 0)	V _{GE} = ±20V , V _{CE} = 0			±250	nA
V _{GE(th)}	Gate Threshold Voltage	V _{CE} = V _{GE} , I _C = 250 μA	5		7	V
V _{CE(sat)}	Collector-Emitter Saturation Voltage	V _{GE} = 15V, I _C = 5A V _{GE} = 15V, I _C = 5A, T _c = 125°C		2 1.8	2.5	V V

(#) Calculated according to the iterative formula:

$$I_C(T_C) = \frac{T_{JMAX} - T_C}{R_{THJ-C} \times V_{CESAT(MAX)}(T_C, I_C)}$$

ELECTRICAL CHARACTERISTICS (CONTINUED)

Table 6: Dynamic

Symbol	Parameter	Test Conditions	Min.	Typ.	Max.	Unit
$g_{fs(1)}$	Forward Transconductance	$V_{CE} = 15\text{ V}, I_C = 5\text{ A}$		15		S
C_{ies} C_{oes} C_{res}	Input Capacitance Output Capacitance Reverse Transfer Capacitance	$V_{CE} = 25\text{ V}, f = 1\text{ MHz}, V_{GE} = 0$		410 48 9		pF pF pF
Q_g Q_{ge} Q_{gc}	Total Gate Charge Gate-Emitter Charge Gate-Collector Charge	$V_{CE} = 390\text{ V}, I_C = 5\text{ A},$ $V_{GE} = 15\text{ V},$ (see Figure 5)		19 TBD TBD		nC nC nC
t_{scw}	Short Circuit Withstand Time	$V_{CE} = 0.5 V_{BR(CES)}, T_J = 125^\circ\text{C}$ $R_G = 10\ \Omega, V_{GE} = 15\text{ V}$	TBD			μs

(1) Pulsed: Pulse duration = 300 μs , duty cycle 1.5%

Table 7: Switching On

Symbol	Parameter	Test Conditions	Min.	Typ.	Max.	Unit
$t_{d(on)}$ t_r (di/dt) _{on} E _{on} (2)	Turn-on Delay Time Current Rise Time Turn-on Current Slope Turn-on Switching Losses	$V_{CC} = 390\text{ V}, I_C = 5\text{ A}$ $R_G = 3.3\ \Omega, V_{GE} = 15\text{ V}, T_J = 25^\circ\text{C}$ (see Figure 3)		TBD TBD TBD TBD		ns ns A/ μs μJ
$t_{d(on)}$ t_r (di/dt) _{on} E _{on} (2)	Turn-on Delay Time Current Rise Time Turn-on Current Slope Turn-on Switching Losses	$V_{CC} = 390\text{ V}, I_C = 5\text{ A}$ $R_G = 3.3\ \Omega, V_{GE} = 15\text{ V}, T_J = 125^\circ\text{C}$ (see Figure 3)		TBD TBD TBD TBD		ns ns A/ μs μJ

2) E_{on} is the turn-on losses when a typical diode is used in the test circuit in figure 2. If the IGBT is offered in a package with a co-pack diode, the co-pack diode is used as external diode. IGBTs & DIODE are at the same temperature (25°C and 125°C)

Table 8: Switching Off

Symbol	Parameter	Test Conditions	Min.	Typ.	Max.	Unit
$t_r(V_{off})$ $t_{d(off)}$ t_f E _{off} (3) E _{ts}	Off Voltage Rise Time Turn-off Delay Time Current Fall Time Turn-off Switching Loss Total Switching Loss	$V_{CC} = 390\text{ V}, I_C = 5\text{ A},$ $R_{GE} = 3.3\ \Omega, V_{GE} = 15\text{ V}$ $T_J = 25^\circ\text{C}$ (see Figure 3)		TBD TBD 75 TBD TBD		ns ns ns μJ μJ
$t_r(V_{off})$ $t_{d(off)}$ t_f E _{off} (3) E _{ts}	Off Voltage Rise Time Turn-off Delay Time Current Fall Time Turn-off Switching Loss Total Switching Loss	$V_{CC} = 390\text{ V}, I_C = 5\text{ A},$ $R_{GE} = 3.3\ \Omega, V_{GE} = 15\text{ V}$ $T_J = 125^\circ\text{C}$ (see Figure 3)		TBD TBD 110 TBD TBD		ns ns ns μJ μJ

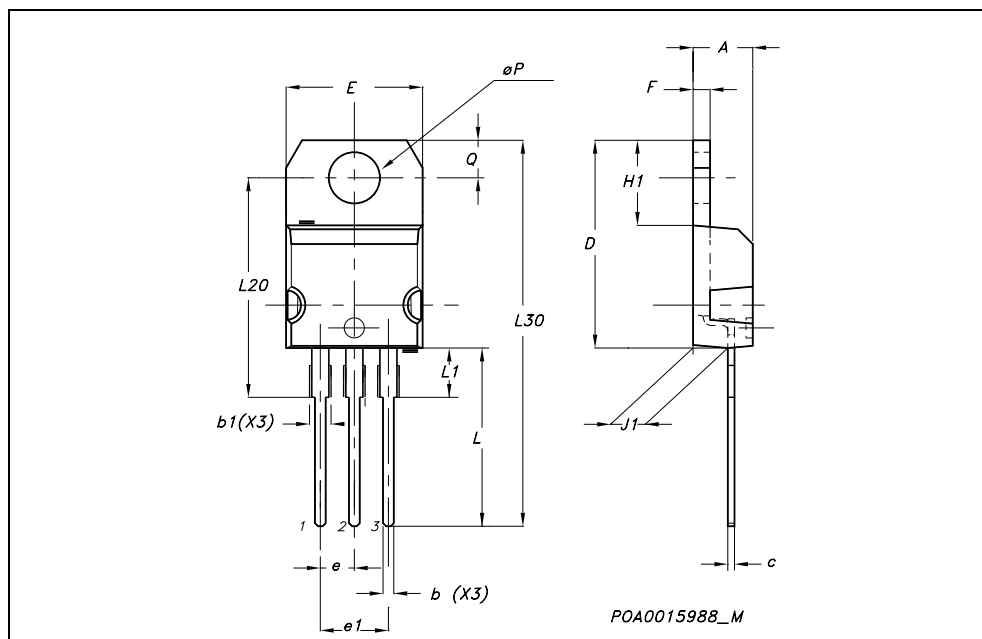
(3) Turn-off losses include also the tail of the collector current.

Table 9: Collector-Emitter Diode

Symbol	Parameter	Test Conditions	Min.	Typ.	Max.	Unit
I_f	Forward Current				7.5	A
I_{fm}	Forward Current Pulsed				12	A
V_f	Forward On-Voltage	$I_f = 1.5 \text{ A}$ $I_f = 1.5 \text{ A}, T_j = 125 \text{ }^\circ\text{C}$		1.6 1.3	2.9	V V
t_{rr}	Reverse Recovery Time	$I_f = 1.5 \text{ A}, V_R = 30 \text{ V},$ $T_j = 25^\circ\text{C}, di/dt = 100 \text{ A}/\mu\text{s}$ (see Figure 6)		TBD		ns
Q_{rr}	Reverse Recovery Charge			TBD		nC
I_{rrm}	Reverse Recovery Current			TBD		A
t_{rr}	Reverse Recovery Time	$I_f = 1.5 \text{ A}, V_R = 30 \text{ V},$ $T_j = 125^\circ\text{C}, di/dt = 100 \text{ A}/\mu\text{s}$ (see Figure 6)		TBD		ns
Q_{rr}	Reverse Recovery Charge			TBD		nC
I_{rrm}	Reverse Recovery Current			TBD		A

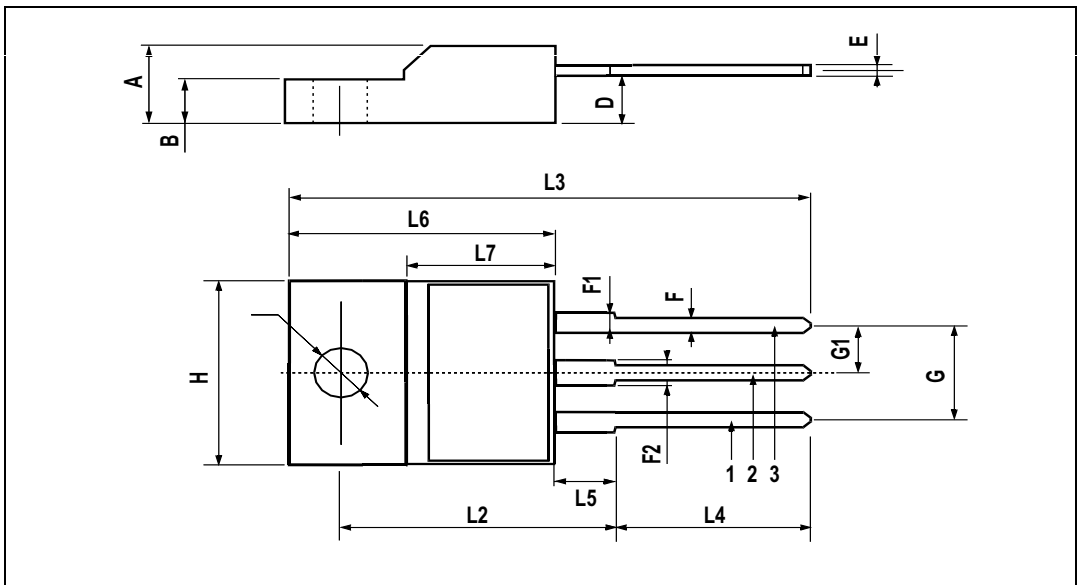
TO-220 MECHANICAL DATA

DIM.	mm.			inch		
	MIN.	TYP.	MAX.	MIN.	TYP.	MAX.
A	4.40		4.60	0.173		0.181
b	0.61		0.88	0.024		0.034
b1	1.15		1.70	0.045		0.066
c	0.49		0.70	0.019		0.027
D	15.25		15.75	0.60		0.620
E	10		10.40	0.393		0.409
e	2.40		2.70	0.094		0.106
e1	4.95		5.15	0.194		0.202
F	1.23		1.32	0.048		0.052
H1	6.20		6.60	0.244		0.256
J1	2.40		2.72	0.094		0.107
L	13		14	0.511		0.551
L1	3.50		3.93	0.137		0.154
L20		16.40			0.645	
L30		28.90			1.137	
øP	3.75		3.85	0.147		0.151
Q	2.65		2.95	0.104		0.116



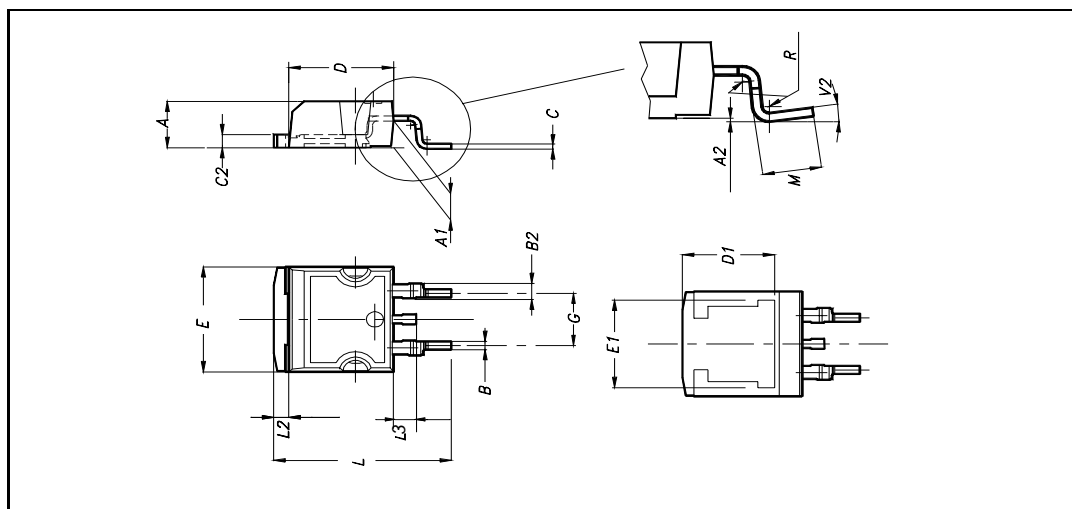
TO-220FP MECHANICAL DATA

DIM.	mm.			inch		
	MIN.	TYP.	MAX.	MIN.	TYP.	MAX.
A	4.4		4.6	0.173		0.181
B	2.5		2.7	0.098		0.106
D	2.5		2.75	0.098		0.108
E	0.45		0.7	0.017		0.027
F	0.75		1	0.030		0.039
F1	1.15		1.7	0.045		0.067
F2	1.15		1.7	0.045		0.067
G	4.95		5.2	0.195		0.204
G1	2.4		2.7	0.094		0.106
H	10		10.4	0.393		0.409
L2		16			0.630	
L3	28.6		30.6	1.126		1.204
L4	9.8		10.6	.0385		0.417
L5	2.9		3.6	0.114		0.141
L6	15.9		16.4	0.626		0.645
L7	9		9.3	0.354		0.366
∅	3		3.2	0.118		0.126

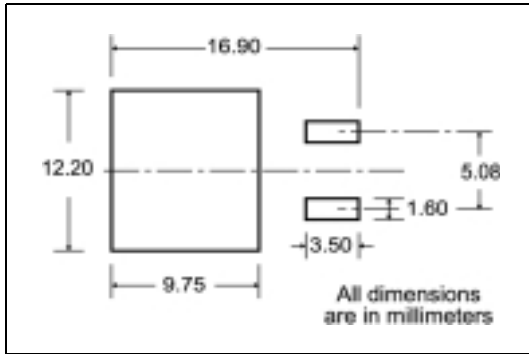


D²PAK MECHANICAL DATA

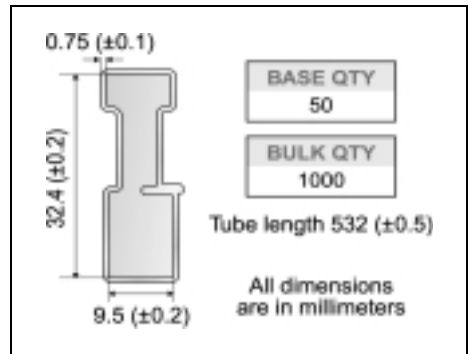
DIM.	mm.			inch		
	MIN.	TYP	MAX.	MIN.	TYP.	MAX.
A	4.4		4.6	0.173		0.181
A1	2.49		2.69	0.098		0.106
A2	0.03		0.23	0.001		0.009
B	0.7		0.93	0.027		0.036
B2	1.14		1.7	0.044		0.067
C	0.45		0.6	0.017		0.023
C2	1.23		1.36	0.048		0.053
D	8.95		9.35	0.352		0.368
D1		8			0.315	
E	10		10.4	0.393		
E1		8.5			0.334	
G	4.88		5.28	0.192		0.208
L	15		15.85	0.590		0.625
L2	1.27		1.4	0.050		0.055
L3	1.4		1.75	0.055		0.068
M	2.4		3.2	0.094		0.126
R		0.4			0.015	
V2	0°		4°			



D²PAK FOOTPRINT



TUBE SHIPMENT (no suffix)*



TAPE AND REEL SHIPMENT (suffix "T4")*

TAPE MECHANICAL DATA

DIM.	mm		inch	
	MIN.	MAX.	MIN.	MAX.
A0	10.5	10.7	0.413	0.421
B0	15.7	15.9	0.618	0.626
D	1.5	1.6	0.059	0.063
D1	1.59	1.61	0.062	0.063
E	1.65	1.85	0.065	0.073
F	11.4	11.6	0.449	0.456
K0	4.8	5.0	0.189	0.197
P0	3.9	4.1	0.153	0.161
P1	11.9	12.1	0.468	0.476
P2	1.9	2.1	0.075	0.082
R	50		1.574	
T	0.25	0.35	0.0098	0.0137
W	23.7	24.3	0.933	0.956

REEL MECHANICAL DATA

DIM.	mm		inch	
	MIN.	MAX.	MIN.	MAX.
A		330		12.992
B	1.5		0.059	
C	12.8	13.2	0.504	0.520
D	20.2		0.795	
G	24.4	26.4	0.960	1.039
N	100		3.937	
T		30.4		1.197

BASE QTY	BULK QTY
1000	1000

* on sales type

Table 10: Revision History

Date	Revision	Description of Changes <small>www.DataSheet4U.com</small>
14-Feb-2005	1	New release

Information furnished is believed to be accurate and reliable. However, STMicroelectronics assumes no responsibility for the consequences of use of such information nor for any infringement of patents or other rights of third parties which may result from its use. No license is granted by implication or otherwise under any patent or patent rights of STMicroelectronics. Specifications mentioned in this publication are subject to change without notice. This publication supersedes and replaces all information previously supplied. STMicroelectronics products are not authorized for use as critical components in life support devices or systems without express written approval of STMicroelectronics.

The ST logo is a registered trademark of STMicroelectronics

All other names are the property of their respective owners

© 2005 STMicroelectronics - All Rights Reserved

STMicroelectronics group of companies

Australia - Belgium - Brazil - Canada - China - Czech Republic - Finland - France - Germany - Hong Kong - India - Israel - Italy - Japan - Malaysia - Malta - Morocco - Singapore - Spain - Sweden - Switzerland - United Kingdom - United States of America